

Slipstick IV "The Twins"

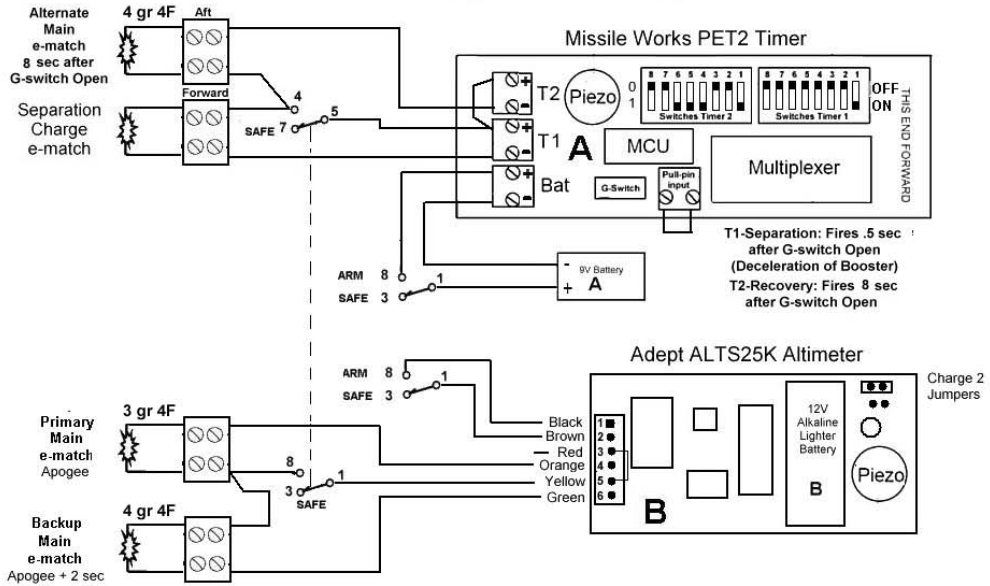


12V Alkaline Lighter Battery
Energizer No. A23
Radio Shack 23-144

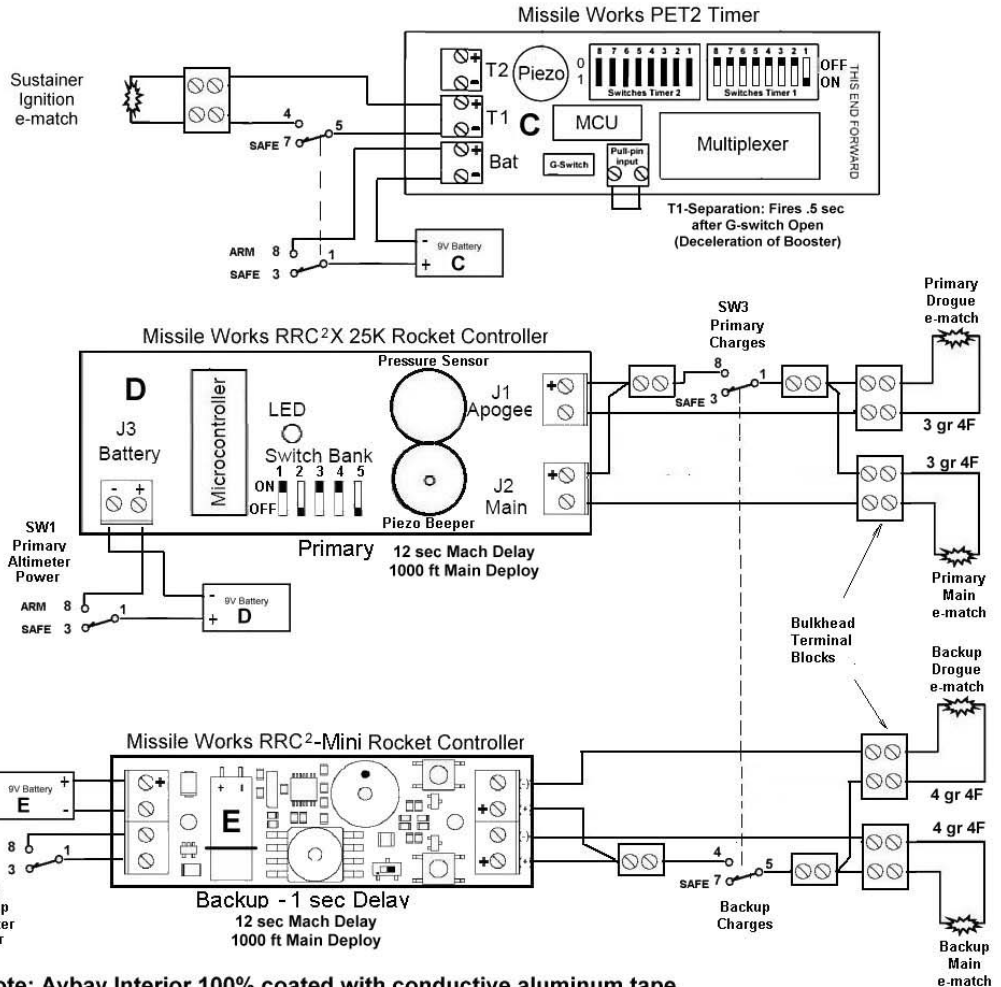
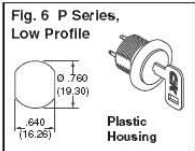
- Black - Power Switch
- Brown - Power Switch RTN
- Red - Apogee Charge 1 RTN
- Orange - Charge 1
- Yellow - Main Charge 2 RTN
- Green - Main Charge 2

Wiring Diagram Ricky - (Booster)

Revision 2



Micky - (Sustainer)



Note: Avbay Interior 100% coated with conductive aluminum tape

